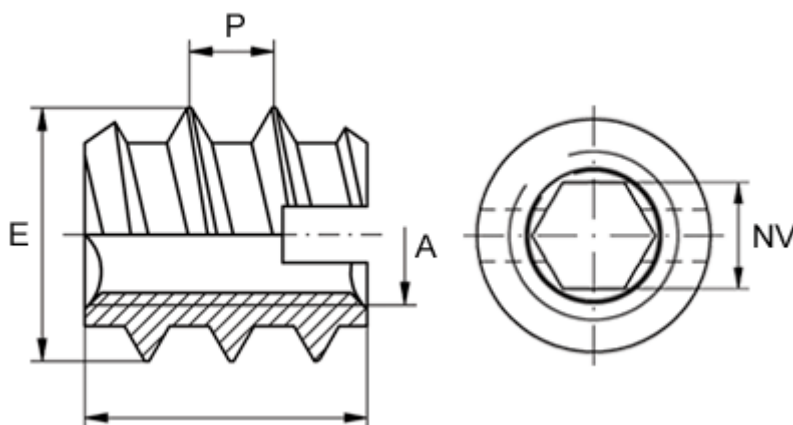


# Data Sheet



Article number: 12309200100100  
Description: KLEE-coil 309 200 100.100  
M10 Unhardened steel

## Measures



|  |                |
|--|----------------|
| Female thread A                                | = M10          |
| Internal hexagon NV +0.1                       | = 8.0          |
| Length B                                       | = 23           |
| Male thread E                                  | = 16.0         |
| Min hole depth                                 | = 26           |
| Recommended bore diameter (plastic/hard wood)  | = 12.6 to 12.8 |
| Recommended bore diameter, soft wood (largest) | = 12.0         |
| Thread pitch P                                 | = 5.0          |